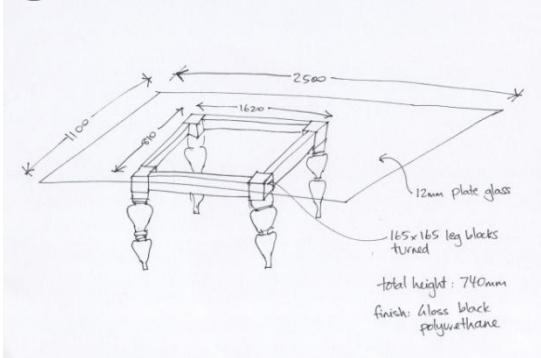


Introducing a NEW Production Process in Timber Furniture.....

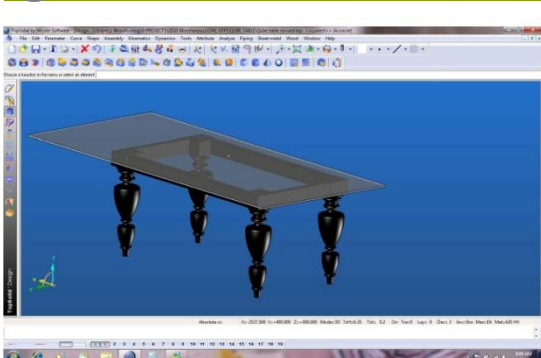


furniture • joinery • turning

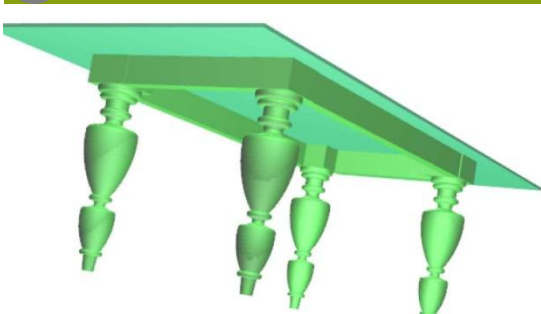
1 SKETCH FROM CLIENT



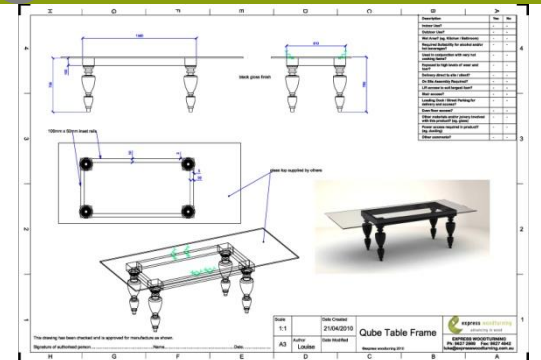
2 TOPSOLID MODEL



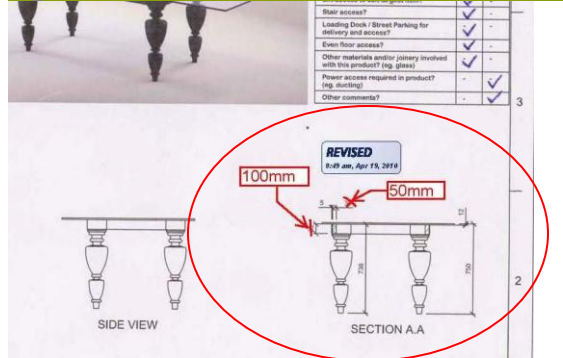
3 3D PDF SENT TO CLIENT



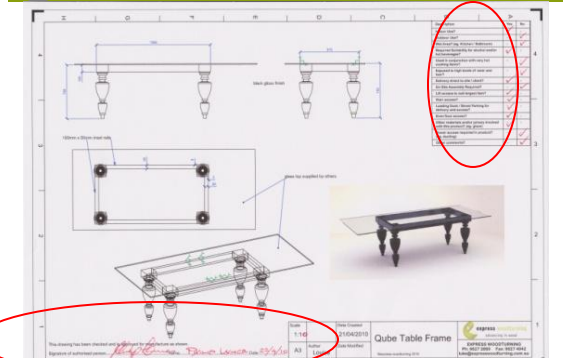
4 TOPSOLID SHOP DRAWING



5 REVISED SHOP DRAWING



6 CLIENT SIGN-OFF



7 MANUFACTURE PRODUCT



8 PRODUCT COMPLETION

